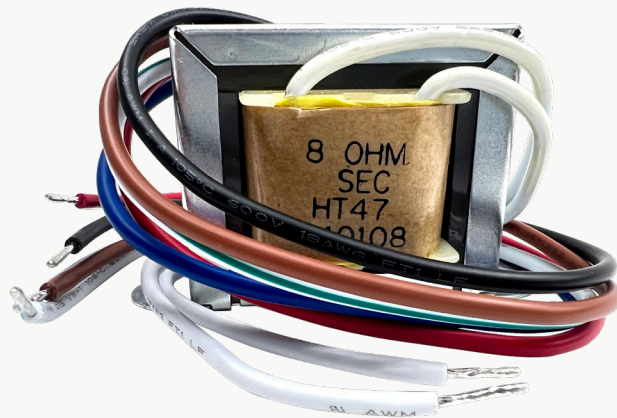


# IP-HT47

4W AUDIO TRANSFORMER KIT FOR USE WITH IPX SERIES IP ENABLED ENDPOINTS

## INSTALLATION GUIDE



# IP-HT47

4W AUDIO TRANSFORMER KIT FOR USE WITH IPX SERIES IP ENABLED ENDPOINTS

## INSTALLATION GUIDE

**COMPATIBLE WITH ALL  
IPX ENCLOSURES.**

**NON COMPATIBLE IPX IP ENDPOINTS:**

- IP-DDS
- IP-APX

### WHAT'S IN THE BOX

- (1x) HT47 transformer
- (2x) WAGO™ 221-413
- (1x) Double sided tape
- (2x) #8 self tapping screws
- (3x) 22-16AWG wire nut



# IP-HT47

4W AUDIO TRANSFORMER KIT FOR USE WITH  
IPX SERIES IP ENABLED ENDPOINTS



## INSTALLATION GUIDE

### INSTALLING THE IP-HT47

#### STEP 1

Install all 70/100V analog speakers that will be driven from the IP-HT47. The total Watts (totaling each speaker Taps) must equal 4W or less.

#### STEP 2

Remove the IP speaker assembly from the enclosure it is mounted to and disconnect its PoE or +24VDC supply (if retrofitting installed speaker).

#### STEP 3

Route the speaker cable that is connected to the 70/100V analog speakers into the installed IPX enclosure.

#### STEP 4

Mount the IPX IP-HT47 transformer to the IP speaker's basket using the included screws. The white wires should be facing towards the speaker and away from the backbox wall (**Figure 1**).

- or -

Mount the IPX IP-HT47 transformer inside the IPX enclosure using the double-sided tape. The white wires should be facing towards the opening of the enclosure (**Figure 2**).

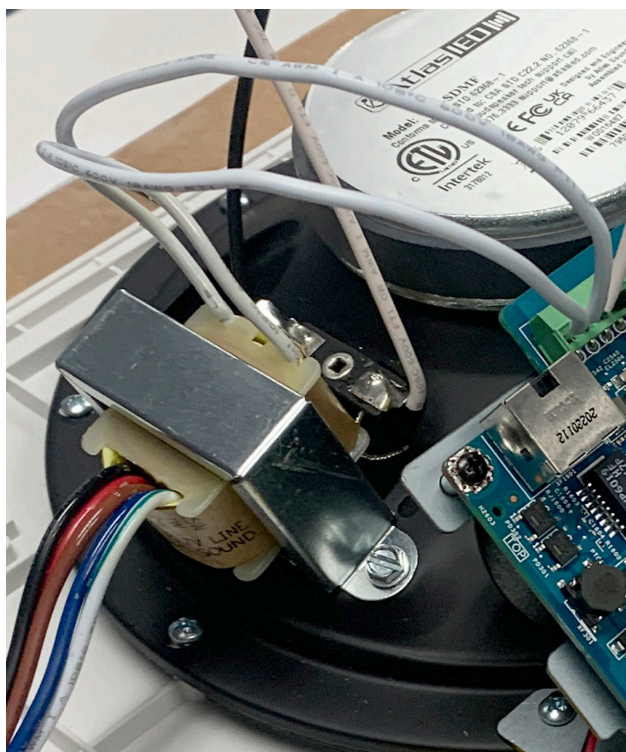


Figure 1



Figure 2

(Continued on next page.)

# IP-HT47

4W AUDIO TRANSFORMER KIT FOR USE WITH IPX SERIES IP ENABLED ENDPOINTS

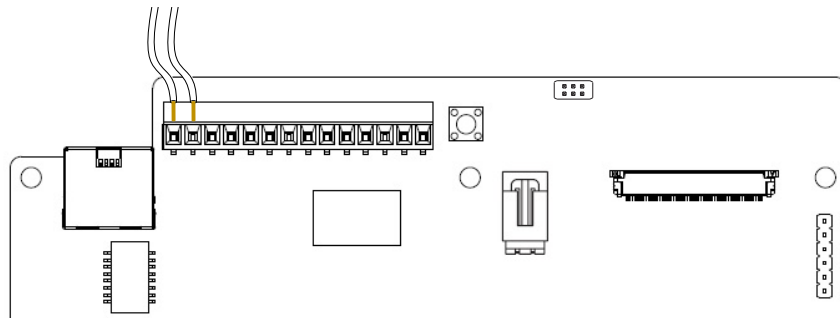


## INSTALLATION GUIDE

### INSTALLING THE IP-HT47 (CONTINUED)

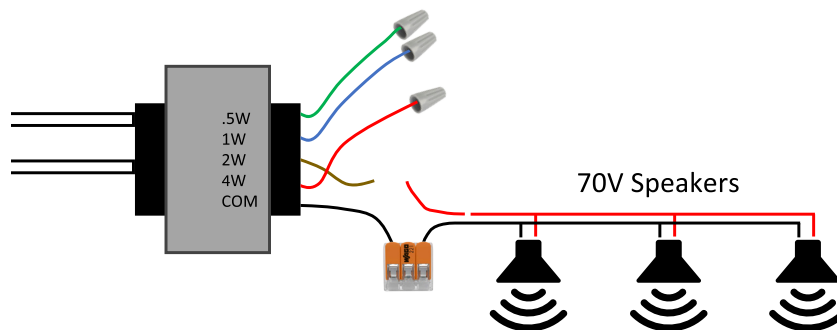
#### STEP 5

Insert the two white wires from the IP-HT47 transformer to pins 13 and 14 of the green block connector of the circuit board and tighten the vertical screws to clamp both wires in place.



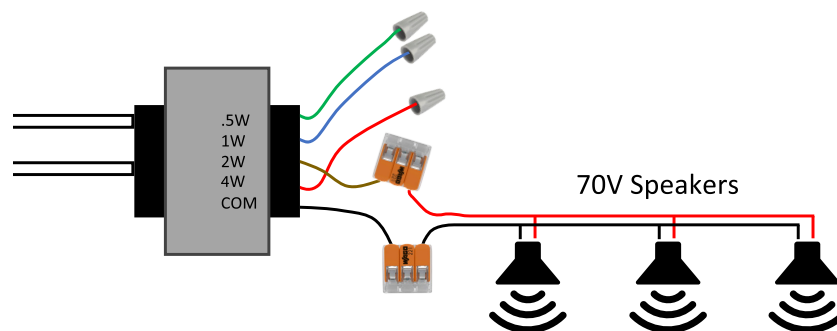
#### STEP 6

Using one of the included WAGO™ splice lever style connectors insert the negative (-) conductor of the speaker cable and black wire (COM) from the transformer into any of the ports on the connector. To make sure that the connection is secure pull on both wires individually.



#### STEP 7

Using the remaining WAGO™ splice lever style connector insert the positive (+) conductor of the speaker cable and the brown wire (2W) from the transformer into any of the ports on the connector. To make sure that the connection is secure pull on both wires individually.



(Continued on next page.)

# IP-HT47

4W AUDIO TRANSFORMER KIT FOR USE WITH  
IPX SERIES IP ENABLED ENDPOINTS

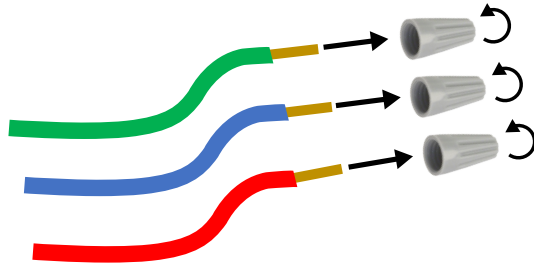


## INSTALLATION GUIDE

### INSTALLING THE IP-HT47 (CONTINUED)

#### STEP 8

Cap the remaining 3 non-connected transformer wires using the included twist on wire nuts.



#### STEP 9

Reconnect the PoE or +24VDC supply and re-install the speaker in its enclosure.

- or -

Re-install the backbox cover.

# IP-HT47

4W AUDIO TRANSFORMER KIT FOR USE WITH IPX SERIES IP ENABLED ENDPOINTS



## INSTALLATION GUIDE

### POST INSTALLATION SCHEMATIC

